

HUSQVARNA - SPARE PARTS CATALOG

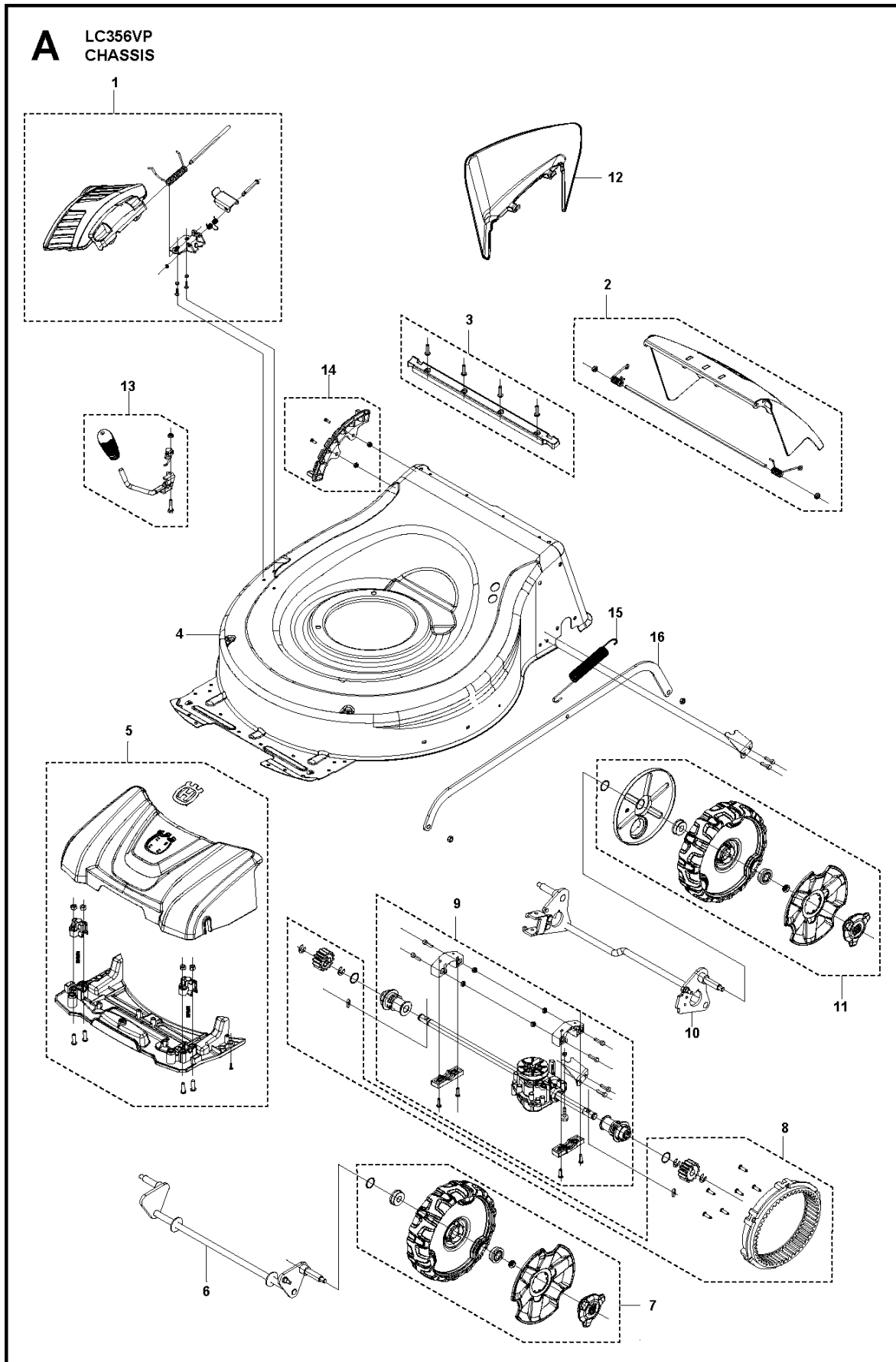
LAWN MOWERS: CONSUMER WALK-BEHINDS: HUSQVARNA LC 356VP

Sparepartslist

SPAREPARTSLIST

LAWN MOWERS: CONSUMER WALK-
BEHINDS

HUSQVARNA LC 356VP

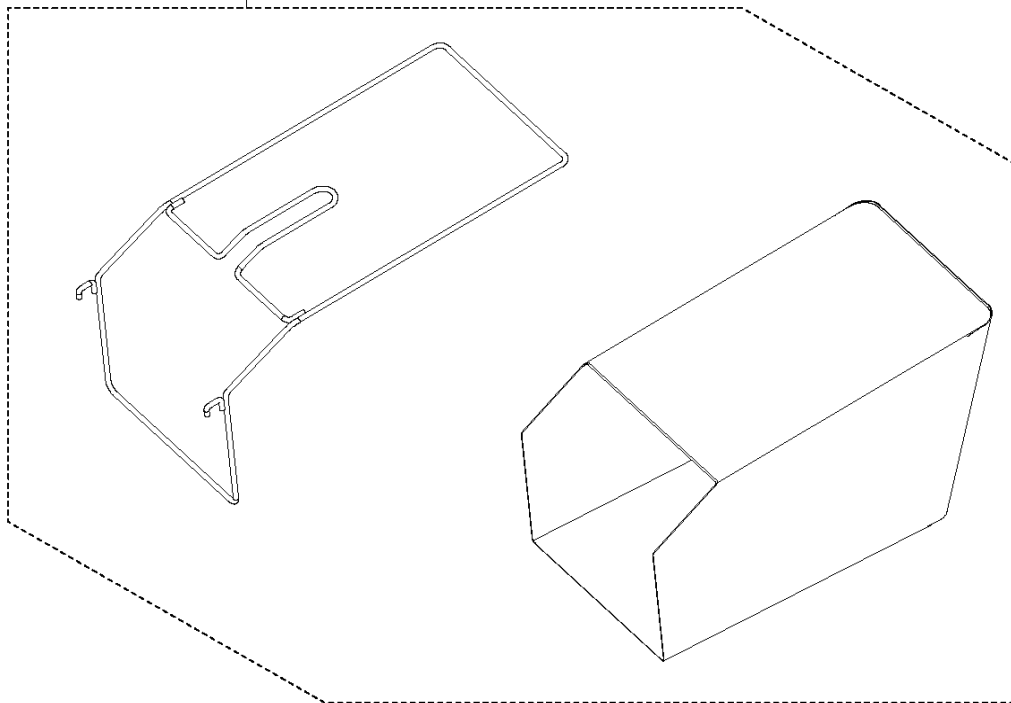


LAWN MOWERS: CONSUMER WALK-BEHINDS

PXM_REF	PXM_PARTNO	DESCRIPTION	PXM_REMARK	QTY
1	598684112	PLATE KIT	SIDE DISCHARGE PLATE	1
2	598684118	FLAP	REAR DOOR	1
3	598825701	SEALING PLATE	SEALING PLATE	1
4	598861101	CHASSIS	chassis	1
5	598684123	COVER KIT	FRONT COVER	1
6	598818801	AXLE	WHEEL AXLE	1
7	598512901	WHEEL	FRONT WHEEL	2
8	598684117	GEAR WHEEL	WHEEL DRIVE	1
9	598684116	TRANSMISSION KIT	REAR TRANSMISSION	1
10	598684110	AXLE	WHEEL AXLE	1
11	598684103	WHEEL	FRONT WHEEL	2
12	598597301	COVER	SIDE DISCHARGE PROTECTIVE COVER	1
13	599139101	HANDLE KIT	HEIGHT ADJUSTMENT HANDLE	1
14	599139001	PLATE KIT	HEIGHT ADJUSTMENT PLATE	1
15	599138901	SPRING	tension spring of connecting rod	1
16	599139201	ROD	connecting rod	1

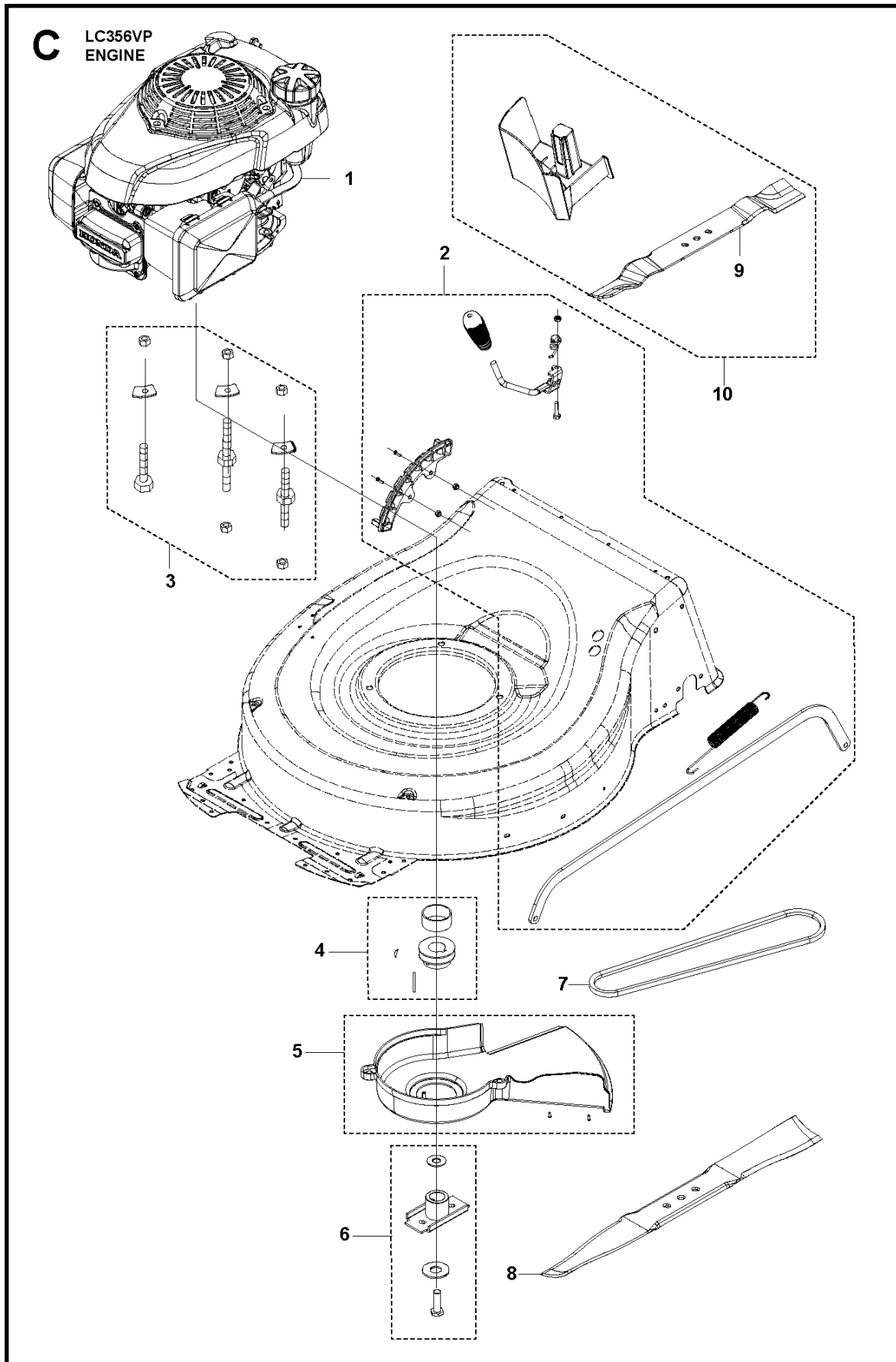
D LC356VP
GRASS HANDLING

1



LAWN MOWERS: CONSUMER WALK-BEHINDS

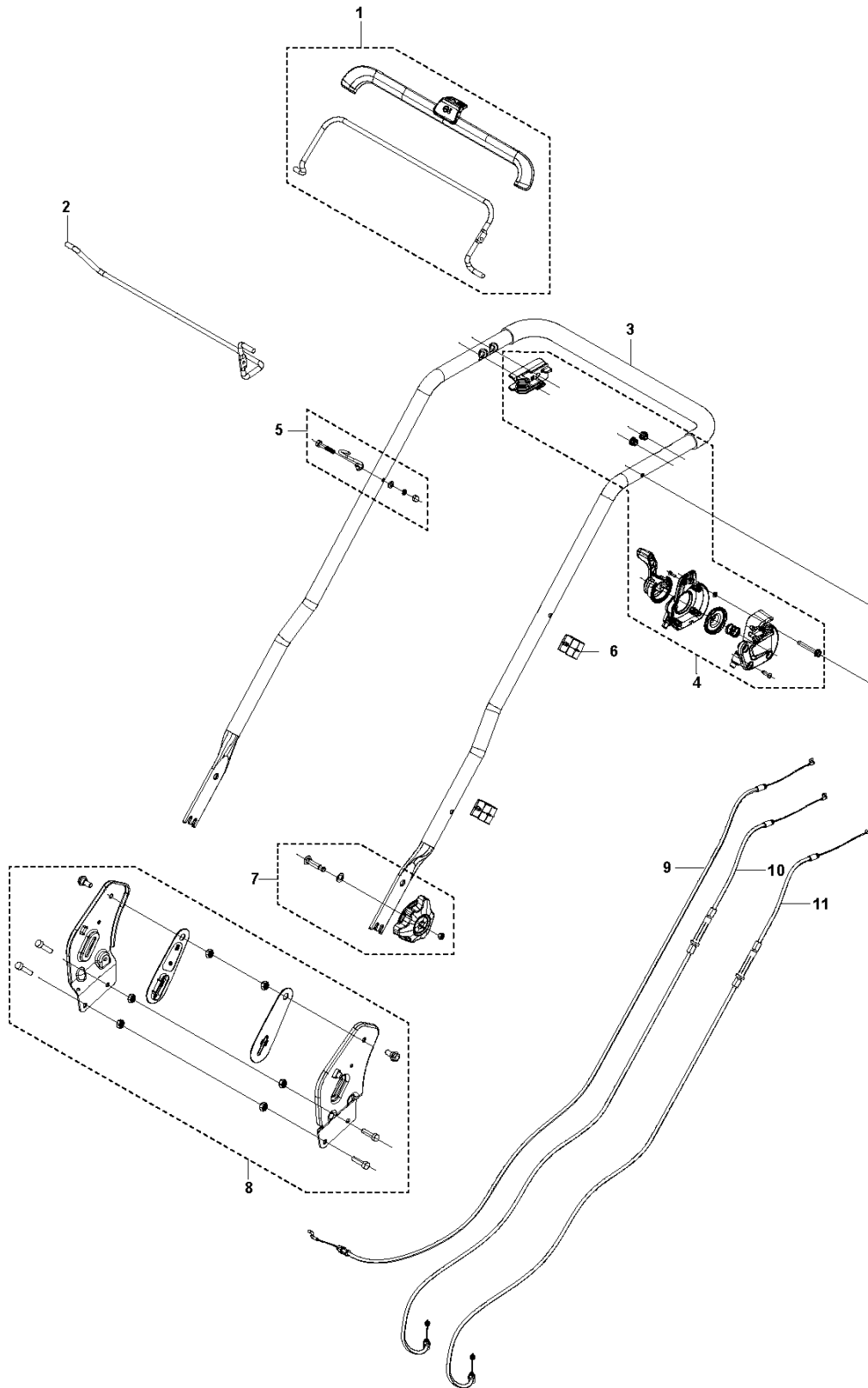
PXM_REF	PXM_PARTNO	DESCRIPTION	PXM_REMARK	QTY
1	598684120	GRASS BAG ASSY	GRASS BAG KIT	1



LAWN MOWERS: CONSUMER WALK-BEHINDS

PXM_REF	PXM_PARTNO	DESCRIPTION	PXM_REMARK	QTY
2	598684108	HEIGHT ADJUSTER	HEIGHT ADJUSTER	1
3	598742601	INSTALLATION KIT	BOLTS AND NUTS	1
4	598684102	PULLEY	DRIVE PULLEY	1
5	598684106	COVER	BELT COVER	1
6	598684104	BLADE SUPPORT	BLADE ADAPTER	1
7	598861001	BELT	belt	1
8	598562701	BLADE	Collect blade	1
9	598563601	BLADE	Mulch blade	1
10	598018101	MULCH KIT	MULCHING KIT	1

B LC356VP
HANDLE



LAWN MOWERS: CONSUMER WALK-BEHINDS

PXM_REF	PXM_PARTNO	DESCRIPTION	PXM_REMARK	QTY
1	598818201	BAIL ARM ASSY	BAIL ARM	1
2	598861901	ROD	drive rod	1
3	598721901	HANDLE KIT	HANDLE AND SHEATH	1
4	598748201	BAIL ARM ASSY	BAIL ARM	1
5	598825601	HANDLE KIT	HANDLE	1
6	598961501	CLIP	clip	1
7	598684125	KNOB ASSY	KNOB	1
8	598684113	SUPPORT KIT	HANDLE BRACKET	1
9	598861502	CABLE ASSY	choke cable assy	1
10	598861801	CABLE ASSY	DRIVE CABLE ASSY	1
11	598861701	CABLE ASSY	Variable speed cable assembly	1